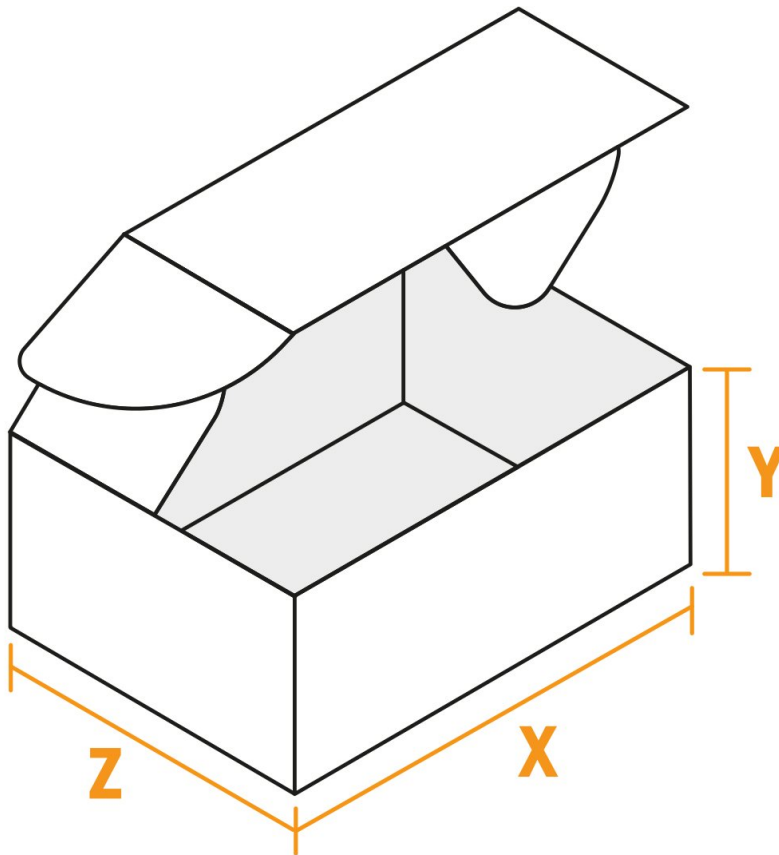


Hinged lid boxes



free format selection

bleed:
3 mm

Safety margin:
4 mm

Maintaining space between the text/information and the edge of the trimmed format prevents undesirable cuts.

Z width
X length
Y height

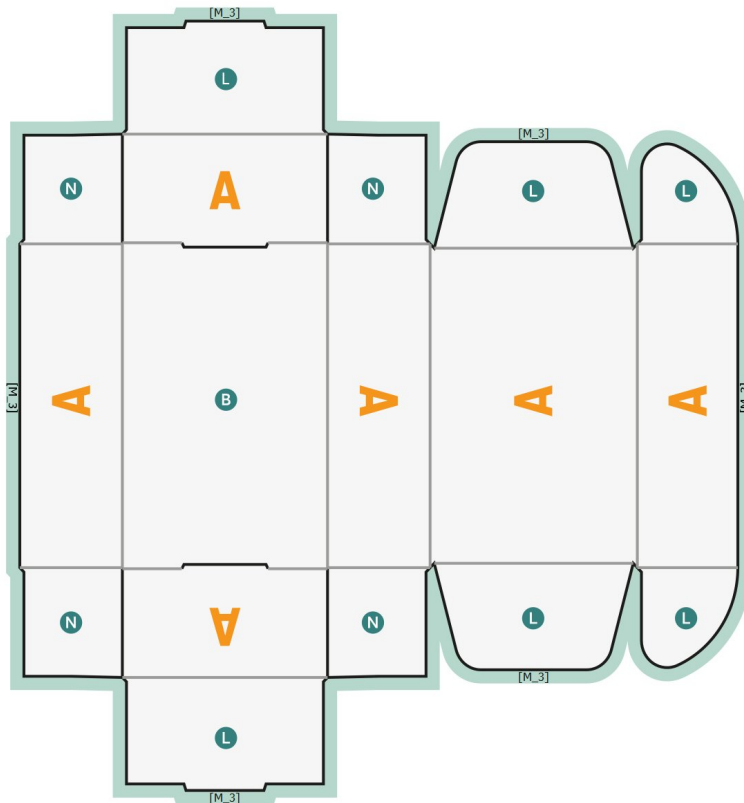
Please note:

Allow for trim allowance and safety margin according to instructions.

Arrange background graphics, images or graphics up to the edge of the data format.

Tolerances may occur during production due to cutting, punching and folding processes.

Printing data: Instructions and templates can be found under the menu item *Printing data* at www.onlineprinters.co.uk



free format selection

bleed:
3 mm

Safety margin:
4 mm

Maintaining space between the text/information and the edge of the trimmed format prevents undesirable cuts.

- B Basement
- N Invisible
- L Limited visibility area
- bleed

- 1 Bleed 3 mm on all sides
- 2 Black elements must be created with 100 % black only
Texts, objects and graphs must be created in 100 % black,
no grey scales
- 3 Ink application 300 % max.

Please note:

Allow for trim allowance and safety margin according to instructions.

Arrange background graphics, images or graphics up to the edge of the data format.

Tolerances may occur during production due to cutting, punching and folding processes.

Printing data: Instructions and templates can be found under the menu item *Printing data* at www.onlineprinters.co.uk